



# ES30C/ES31C Series Positioning System

## ESPRIT® SYSTEM WITH IOP CAMERA AND OPTIONAL WIPER

### Product Features

- Receiver, Pan/Tilt, and Enclosure with an Integrated Optics Package (IOP)
- Auto Focus with Manual Override
- Programmable Camera Settings
- On-Screen Compass, Tilt, and Zoom Display
- Auto Iris with Manual Override
- Integral Multiprotocol Receiver/Driver
- Variable Speed Pan: 0.1° to 100°/Sec with Proportional Pan
- 360° Continuous Pan Rotation
- Zone Blanking: Allows up to 8 Zones (Programmable in Size) to be Set to Output Blank Video
- Tilt Range of +33° to -83° from Horizontal
- Preset Positioning, Patterns, Multiple Scan Modes
- Designed for Minimal Maintenance, No Gears to Adjust



ESPRIT IOP SYSTEM WITH WIPER  
(SHOWN WITH WALL MOUNT AND POLE ADAPTER)

The **ES30C** and **ES31C** are innovative additions to the successful product line of Esprit® Series Integrated Positioning Systems. The **ES30C** and **ES31C** not only combine a receiver, pan/tilt, and enclosure in a single, easy-to-install system, they also include an Integrated Optics Package (IOP). The IOP contains an autofocus camera and lens module with programmable features.

For a wide range of applications, the **ES30C** and **ES31C** Series feature a choice of four different IOP cameras: a color camera (470 TVL) with a 16X zoom lens (16X optical, 10X digital); a high resolution camera with LowLight™ color technology and 22X zoom lens (22X optical, 10X digital); a low light, high resolution, day/night camera (520 TVL) with an infrared cut filter; and 24X zoom lens (24X optical, 10X digital); and a low-light, high-resolution, day/night camera (540 TVL) with an infrared cut filter, 35X zoom lens (35X optical, 12X digital), and electronic image stabilization.

A powder-coated, aluminum construction makes the **ES30C** and **ES31C** ideal for either indoor or outdoor applications. The system has an absolute operating temperature range of -50° to 140°F (-45° to 60°C). Within two hours after power-up, the entire unit can de-ice and be operational from a temperature of -13°F (-25°C).

The **ES31C Series** includes a window wiper. The wiper is completely integrated into the enclosure and does not interfere with the viewing range of the system. The wiper can be programmed to delay between wipes and to automatically shut off after a specified period. The wiper design also allows for easy replacement of the wiper blade. A built-in heater, window defroster/defogger, sun shroud, and insulation blanket are standard features on the **ES30C** and **ES31C** units. All units also include an open collector auxiliary output that functions for two seconds before deactivating.

The **ES30C** and **ES31C** Series variable pan and tilt speeds range from 0.1 to 40 degrees per second in manual pan mode and 0.1 to 20 degrees per second in manual tilt. Pan preset and turbo speeds are 100 degrees per second in wind speeds of 50 mph and 50 degrees per second in the 90 mph wind-speed profile. Tilt preset speed is 30 degrees per second. The **ES30C** and **ES31C** are capable of 360 degrees of continuous pan rotation. The tilt range allows for horizontal viewing of +33 to -83 degrees. There are 64 programmable preset positions with a preset accuracy of one-quarter degree.

The systems are available with an input voltage of 24 VAC or with a selectable power source of 120/230 VAC. The **ES30C** and **ES31C** also have a power-up recovery mode that allows the user to specify what operation the system will resume whenever the power is cycled.



C307 / REVISED 11-07

IP66



U.S. Patents 340,940 and 5,224,675

International Standards  
Organization Registered Firm,  
ISO 9001 Quality System



# TECHNICAL SPECIFICATIONS

## ADDITIONAL PRODUCT FEATURES

- Deterrent Surveillance
- Digital Position and Zoom Control and Feedback Using Pelco D Protocol
- Integral Camera Enclosure
- Operational in 90 mph Winds, Can Withstand Wind Velocity up to 130 mph
- Pan Preset Speed of 100°/Sec in 50 mph Winds and 50°/Sec in 90 mph Winds
- Variable Scan Speeds (1-40°/Sec)
- Translator Boards for Selected Competitive Protocols
- Easy to Install: Quick and simple electrical connections
- 24 VAC or 120/230 VAC Selectable
- Full Continuous-Duty Warranty
- 850 nm and 950 nm Active IR Illumination Focus Algorithms (24X and 35X models only)

## SOFTWARE/HARDWARE

- 64 Programmable Presets with Labels
- Auto, Frame, and Random Scan
- Programmable Power-up Mode
- Programmable Park
- Programmable Manual Limit Stops (Pan)
- Programmable Scan Limit Stops (Pan)
- Patterns
- Proportional Pan/Tilt
- 8 Zones (programmable in size) Can Be Labeled with up to 20 Characters Each
- Up to 8 Zones (programmable in size) Can Be Set to Output Blank Video
- 10-Inch Integrated Enclosure with Pre-Assembled, IOP Camera
- Sun Shroud, Heater/Window Defroster, and Insulation All Standard
- 1 Auxiliary Output
- Integrated Window Wiper with Programmable Delay and Shut-Off (ES31C Models)

## ELECTRICAL

Input Voltage	24, 120, or 230 VAC, 50/60 Hz; switch selectable for 120/230 VAC inputs	
Input Voltage Range	±10%	
Power Consumption	Maximum 70 VA per system	
Heater and Defroster	Thermostatically controlled	
Electrical Connections	2 power source connections made at mount location with wire splices and 1 ground wire splice; 1 BNC receptacle and 4 wire splices at mount location for RS-422 Pelco D and Pelco P protocols; 2 wire splices for open collector auxiliary output	
Aux 2	Open collector output with 2-second activation; connected relay must require no more than 32 VDC and 40 mA to energize relay coil; wire length between Esprit and relay must be less than 100 ft (30 m)	
Video Coaxial Cable Max. Wiring Distances	<u>Cable Type*</u>	<u>Maximum Distance</u>
	RG59/U	750 ft (229 m)
	RG6/U	1,000 ft (305 m)
	RG11/U	1,500 ft (457 m)

\*Minimum cable requirements: 75-ohms impedance; all-copper center conductor; all copper braided shield with 95% braid coverage

## MECHANICAL

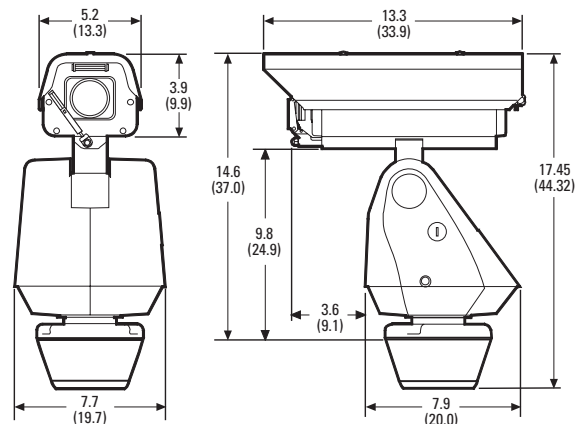
Pan Movement	360° Continuous pan rotation
Vertical Tilt	Unobstructed +33° to -83°
Variable Pan/Tilt Speed	
Pan	0.1° to 40°/sec variable-speed operation, 100°/sec Turbo
Tilt	0.1° to 20°/sec variable-speed operation
Preset Speeds	
Pan	100°/sec
Tilt	30°/sec
Camera Mounting Latches	Integrated camera sled assembly One link-lock, No. 3 stainless-steel latch; can be secured with padlock (not supplied)

## GENERAL

Construction	Die-cast, extruded and sheet aluminum; stainless steel hardware	
Finish	Gray polyester powder coat	
Viewing Window	0.23" (5.84 mm) thick, optically clear impact/scratch-resistant coated Lexan®	
Operating Temperature	-50° to 122°F (-45° to 50°C) for sustained system operation or 140°F (60°C) absolute maximum. Within two hours after power-up, the entire unit can de-ice and be operational from a temperature of -13°F (-25°C).	
Operating Environment	Will remain operational in 90 mph wind conditions; withstands 130 mph	
Weight	With Pedestal Adapter	With Wall Mount
Unit		
Standard w/IOP	20 lb (9.0 kg)	22 lb (9.9 kg)
With Wiper and IOP	21 lb (9.5 kg)	23 lb (10.4 kg)
Shipping		
Standard w/IOP	25 lb (11.3 kg)	28 lb (12.6 kg)
With Wiper and IOP	26 lb (11.7 kg)	29 lb (13.1 kg)

## CERTIFICATIONS/RATINGS/PATENTS

- CE, Class B (all models)
- UL Listed (NTSC models)
- UL Listed to Canadian safety standards (NTSC models)
- FCC, Class B (NTSC models)
- Meets NEMA Type 4X and IP66 standards
- U.S. Patents 340,940 and 5,224,675



NOTE: VALUES IN PARENTHESES ARE CENTIMETERS; ALL OTHERS ARE INCHES.

# TECHNICAL SPECIFICATIONS

## CAMERA/OPTICS

	Day/Night (35X)	Day/Night (24X)	Color, LowLight (22X)	Color, LowLight (16X)
Signal Format	NTSC, PAL	NTSC, PAL	NTSC, PAL	NTSC, PAL
Scanning System	Progressive	2:1 Interlace	2:1 Interlace	2:1 Interlace
Image Sensor Effective pixels NTSC PAL	1/4-inch EXview HAD™ CCD 768 (H) x 494 (V) 752 (H) x 582 (V)	1/4-inch CCD 768 (H) x 494 (V) 724 (H) x 582 (V)	1/4-inch EXview HAD CCD 768 (H) x 494 (V) 752 (H) x 582 (V)	1/4-inch interline transfer CCD 768 (H) x 494 (V) 752 (H) x 582 (V)
Horizontal Resolution NTSC PAL	>540 TV lines >540 TV lines	>520 TV lines >520 TV lines	>470 TV lines >460 TV lines	470 TV lines 460 TV lines
Lens	f/1.4 (focal length, 3.4~119 mm optical)	f/1.2 (focal length, 3.8~91.2 mm optical)	f/1.6 (focal length, 4~88 mm optical)	f/1.4 (focal length, 4~64 mm optical)
Zoom	35X optical, 12X digital	24X optical, 10X digital	22X optical, 10X digital	16X optical, 10X digital
Zoom Speed (optical range)	3.2 /4.6/6.6 seconds	3.9 seconds	3.9 seconds	3.6 seconds
Horizontal Angle of View Focus	55.8° at 3.4 mm wide zoom; 1.7° at 119 mm telephoto zoom Automatic with manual override	50.7° at 3.8 mm wide zoom; 2.3° at 91.2 mm telephoto zoom Automatic with manual override	47.3° at 4.0 mm wide zoom; 2.2° at 88 mm telephoto zoom Automatic with manual override	43° at 4.0 mm wide zoom; 3° at 64 mm telephoto zoom Automatic with manual override
Maximum Sensitivity @ 35 IRE NTSC PAL	0.55 lux at 1/60 sec shutter <b>(color)</b> 0.063 lux at 1/4 sec shutter <b>(color)</b> 0.00018 lux at 1/2 sec shutter <b>(B-W)</b> 0.050 lux at 1/50 sec shutter <b>(color)</b> 0.062 lux at 1/3 sec shutter <b>(color)</b> 0.00014 lux at 1/1.5 sec shutter <b>(B-W)</b>	0.005 lux at 1/2 sec shutter <b>(color)</b> 0.015 lux at 1/60 sec shutter <b>(B-W)</b> 0.0005 lux at 1/2 sec shutter <b>(B-W)</b> 0.005 lux at 1/1.5 sec shutter <b>(color)</b> 0.015 lux at 1/50 sec shutter <b>(B-W)</b> 0.0005 lux at 1/1.5 sec shutter <b>(B-W)</b>	0.02 lux at 1/2 sec shutter 0.02 lux at 1/1.5 sec shutter	0.05 lux at 1/2 sec shutter 0.05 lux at 1/1.5 sec shutter
Sync System	Internal/AC line lock, phase adjustable using remote control, V-Sync	Internal/AC line lock, phase adjustable using remote control, V-Sync*	Internal/AC line lock, phase adjustable using remote control, V-Sync*	Internal/AC line lock, phase adjustable using remote control, V-Sync*
White Balance	Automatic with manual override	Automatic with manual override*	Automatic with manual override*	Automatic with manual override*
Shutter Speed NTSC PAL	Automatic (electronic iris)/Manual 1/2~1/30,000 1/1.5~1/30,000	Automatic (electronic iris)/Manual 1/2~1/30,000* 1/1.5~1/30,000*	Automatic (electronic iris)/Manual 1/2~1/30,000* 1/1.5~1/30,000*	Automatic (electronic iris)/Manual 1/2~1/30,000* 1/1.5~1/30,000*
Iris Control	Automatic with manual override	Automatic iris control with manual override*	Automatic iris control with manual override*	Automatic iris control with manual override*
Gain Control	Automatic/OFF*	Automatic/OFF*	Automatic/OFF*	Automatic with manual override*
Video Output	1 Vp-p, 75 ohms	1 Vp-p, 75 ohms	1 Vp-p, 75 ohms	1 Vp-p, 75 ohms
Video Signal-to-Noise	>50 dB	>50 dB	>50 dB	>46 dB
Electronic Image Stabilization	Integrated	—	—	—

\*Manual control of camera setup functions can be done with CM6700, CM6800, CM8500, CM9500, CM9700 Series, KBD200A, KBD300A, and MPT9500 controllers, but not with CM7500, MPT9000 or KBD9000 controllers.

# MODEL NUMBERS

## MODELS

Model	Format	Pedestal Mount*		Wall Mount**		
		24 VAC	120/230 VAC	24 VAC	120/230 VAC	
<b>16X Color</b>	Standard	NTSC PAL	ES30C16-2N ES30C16-2N-X	ES30C16-5N ES30C16-5N-X	ES30C16-2W ES30C16-2W-X	ES30C16-5W ES30C16-5W-X
	With Wiper	NTSC PAL	ES31C16-2N ES31C16-2N-X	ES31C16-5N ES31C16-5N-X	ES31C16-2W ES31C16-2W-X	ES31C16-5W ES31C16-5W-X
<b>22X Color</b>	Standard	NTSC PAL	ES30C22-2N ES30C22-2N-X	ES30C22-5N ES30C22-5N-X	ES30C22-2W ES30C22-2W-X	ES30C22-5W ES30C22-5W-X
	With Wiper	NTSC PAL	ES31C22-2N ES31C22-2N-X	ES31C22-5N ES31C22-5N-X	ES31C22-2W ES31C22-2W-X	ES31C22-5W ES31C22-5W-X
<b>24X Day/Night</b>	Standard	NTSC PAL	ES30CBW24-2N ES30CBW24-2N-X	ES30CBW24-5N ES30CBW24-5N-X	ES30CBW24-2W ES30CBW24-2W-X	ES30CBW24-5W ES30CBW24-5W-X
	With Wiper	NTSC PAL	ES31CBW24-2N ES31CBW24-2N-X	ES31CBW24-5N ES31CBW24-5N-X	ES31CBW24-2W ES31CBW24-2W-X	ES31CBW24-5W ES31CBW24-5W-X
<b>35X Day/Night</b>	Standard	NTSC PAL	ES30CBW35-2N ES30CBW35-2N-X	ES30CBW35-5N ES30CBW35-5N-X	ES30CBW35-2W ES30CBW35-2W-X	ES30CBW35-5W ES30CBW35-5W-X
	With Wiper	NTSC PAL	ES31CBW35-2N ES31CBW35-2N-X	ES31CBW35-5N ES31CBW35-5N-X	ES31CBW35-2W ES31CBW35-2W-X	ES31CBW35-5W ES31CBW35-5W-X

\*Pedestal mount models include Esprit EPP pedestal adapter.

\*\*Wall mount models include Esprit EWM wall mount.

## REPLACEMENT INTEGRATED OPTICS PACKAGE (IOP CAMERA) MODULES

The following IOP modules are replacement components only; they are not interchangeable.

ESIOPC16	Esprit high resolution color camera and lens module, 16X, NTSC format
ESIOPC16-X	Same as ESIOPC16 except PAL format
ESIOPC22	Esprit high resolution color camera and lens module, 22X NTSC format
ESIOPC22-X	Same as ESIOPC22 except PAL format
ESIOPCBW24	Esprit high resolution day/night camera and lens module, 24X, NTSC format
ESIOPCBW24-X	Same as ESIOPCBW24 except PAL format
ESIOPBW35	Esprit high resolution day/night camera and lens module, 35X, NTSC format
ESIOPBW35-X	Same as ESIOPBW35 except PAL format

## OPTIONAL ACCESSORIES

ES-REPLBLADE-2	Package of 2 window wiper replacement blades
ES-REPLBLADE-10	Package of 10 window wiper replacement blades

## RELATED PRODUCTS

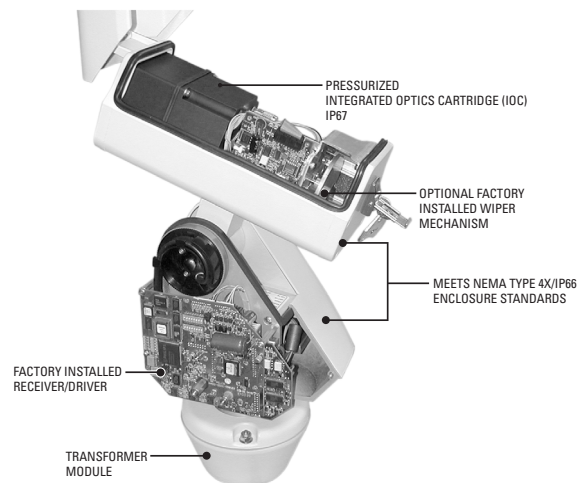
IPS-RDPE-2	Remote data port. 24 VAC, wall/pole mount video/data breakout box. Allows ground-level control/programming when used with the IPS-RMK. (No code upload.)
IPS-RMK	Remote monitor kit. Includes TFT-LCD monitor, PDA handheld, cables, and carrying case. Allows viewing of camera video, local PTZ control, and system setup.
TXB Series	Translator boards for AD™ Manchester, Hermis, Bosch® (Philips, Burle), Sensormatic®, TASS, Vicon™, and NTCIP protocols.

## RECOMMENDED MOUNTS

Esprit Series	Includes mounts for wall, pedestal, corner, parapet, and pole applications.
PM2000/PM2010	Pedestal mount with cable feedthrough. For use with Esprit systems with pedestal adapter plate.

## RECOMMENDED POWER SUPPLIES

MCS Series	Multiple 24 VAC camera power supply, indoor
WCS Series	



### Pelco Worldwide Headquarters:

3500 Pelco Way, Clovis, California 93612-5699 USA  
**USA & Canada** Tel: (800) 289-9100 • FAX (800) 289-9150  
**International** Tel: (559) 292-1981 • FAX (559) 348-1120  
[www.pelco.com](http://www.pelco.com)

Pelco, the Pelco logo, Coaxitron, and Esprit are registered trademarks of Pelco.  
 LowLight is a trademark of Pelco.  
 Sensormatic and AD Manchester are trademarks or registered trademarks of Sensormatic Electronics Corp.  
 Lexan is a registered trademark of the General Electric Company.  
 Bosch is a registered trademark of Robert Bosch GmbH.  
 EXview HAD is a trademark of the Sony Corporation.  
 Vicon is a trademark of Vicon.  
 Specifications subject to change without notice.  
 ©Copyright 2007, Pelco. All rights reserved.